



# Child-friendly Environment of Interviews in Lithuania

Eglė Kavoliūnaitė-Ragauskienė, Law Institute of Lithuania

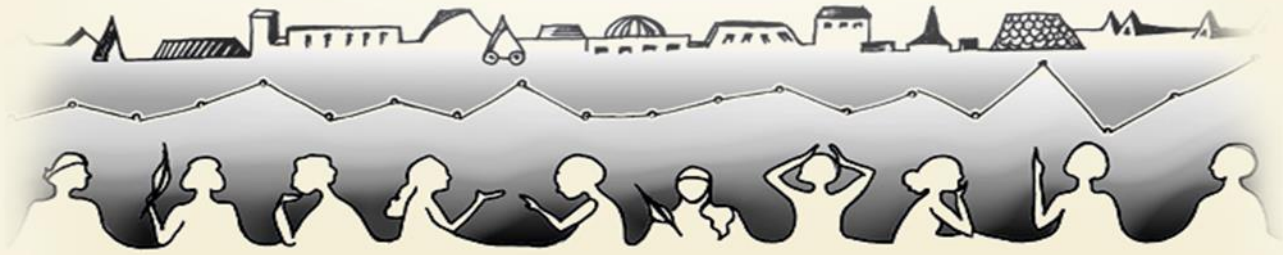
Tallinn, 19 February 2015



## Child-friendly Environment of Interviews in Lithuania

### *General principles of interviewing children after criminal activities:*

- “Not more than once”
- By the same interviewing person
- Where needed: with a help of psychologist



## Child-friendly Environment of Interviews in Lithuania

### *Interviewing of children after a criminal activity:*

#### 1) Immediately after the event

- As a general rule
- Performed by police officers
- No special preparation



## Child-friendly Environment of Interviews in Lithuania

### *Interviewing of children after a criminal activity:*

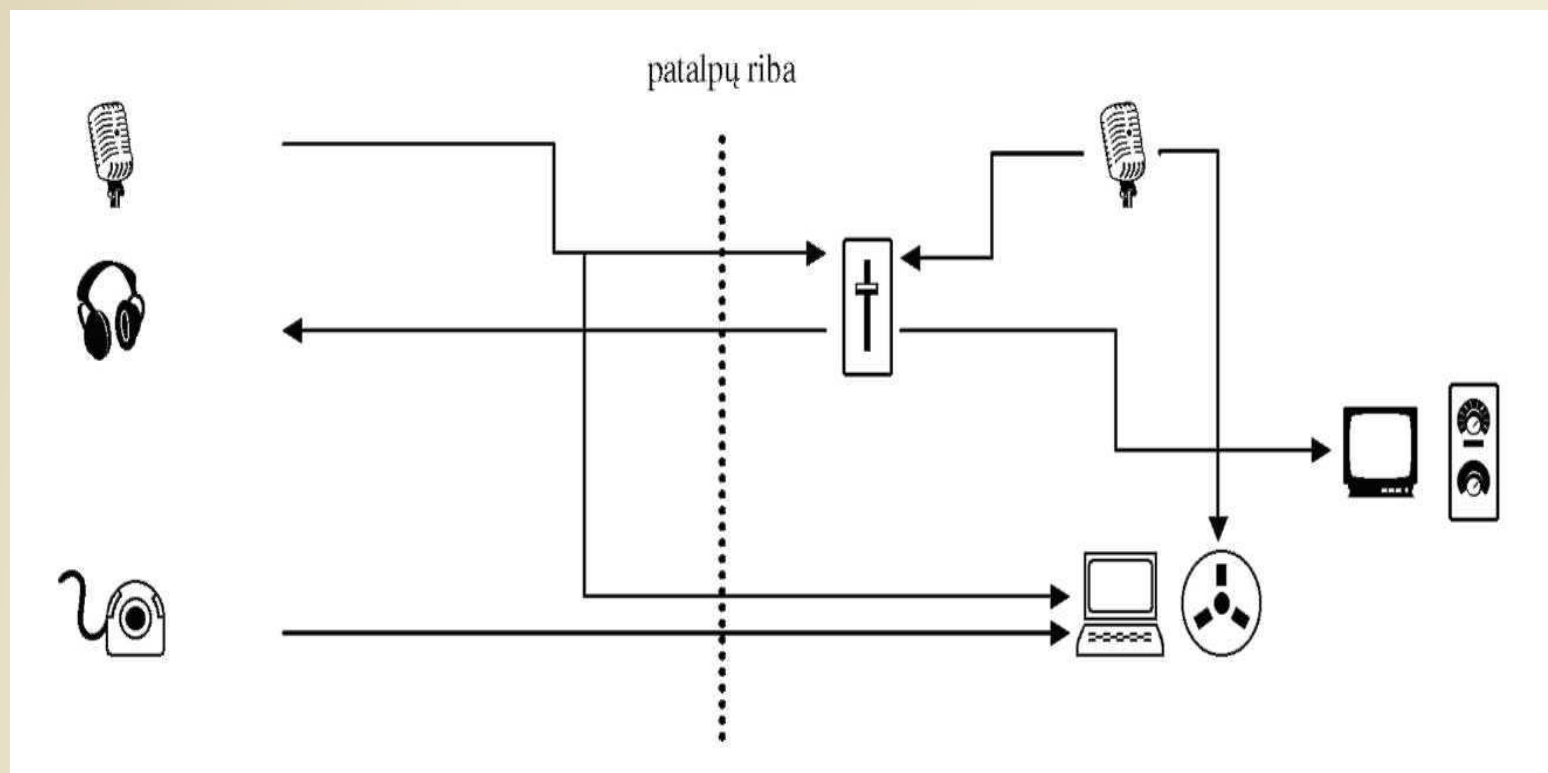
#### 2) In a “child interview room”

- In cases decided by pre-trial judge or prosecutor/investigator
- Usual criteria: gravity of crime, type of crime
- Different practices of interviewing
- Participants: 4,1; in the room: 2,6; directly submitting questions: 1,2



## Child-friendly Environment of Interviews in Lithuania

### *“Child interview room”*





## Child-friendly Environment of Interviews in Lithuania





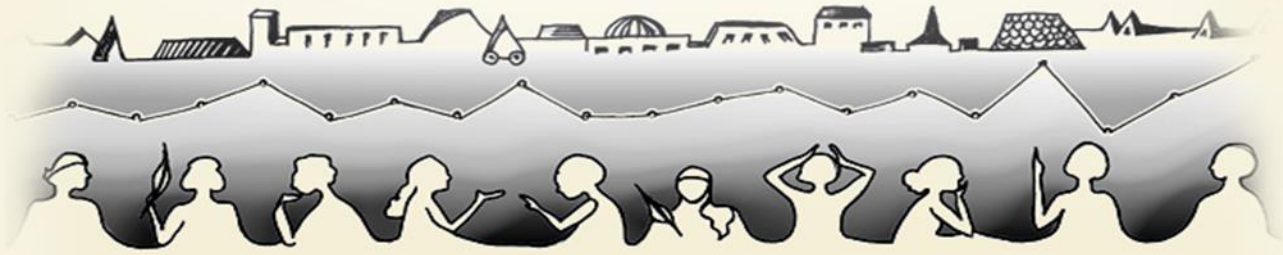


## Child-friendly Environment of Interviews in Lithuania

### *Interviewing of children after a criminal activity:*

#### 3) In court

- Under 18 years: only in exceptional cases
- Judge may order the suspect or other participants to leave the courtroom
- Participation of parents, Children Rights Protection Department specialists or psychologist
- A witness under 16 years must be removed after provision of evidence
- Participants: 6,8; in the room: 6,1; directly submitting questions: 2,2



## Child-friendly Environment of Interviews in Lithuania

### *Critical observations:*

- Lack of financing
- Lack of unified rules
- Insufficiency of training of officers
- Unclear balance of priorities between the criminal procedure aims and protection of a child
  - *Number of interviews*
  - *Interviewing person*
  - *Cross-examination*





Thank you for your attention!